



Control 12

OUTSTANDING
PERFORMANCE
MEETS ELEGANT
DESIGN



All-in-one package comprising KNX server, IP router, smart home app and indoor intercom station



11,6" Full HD touch display



Customizable front glass



Surface or flush mounting, also flush-mounted

Powerful features

The Control 12 clearly displays all building control functions in a central location on an 11.6 inch screen. This means you can always keep an eye on your building technology and simultaneously choose from many application options, as the Control 12 is based on a fully-fledged Windows 10 IoT Enterprise LTSC computer.

You can use it in both private and commercial sectors - either with an external server or without, thanks to its own KNX interface and the YOUVI software that comes included. The full HD display with capacitive touchscreen, the HD webcam and the broadband speakers extend the device's range of applications, for example for video telephony or for use as an information terminal.

In addition to the basic building control features, the Control 12 also supports IP telephony, SIP intercom systems with video transmission and other Windows features such as night mode and swipe gesture control.

Thanks to the proprietary hardware and advanced cooling concept, the panel offers excellent performance and efficient cooling with silent operation.

Smart software

The YOUVI Basic visualisation software is already included in the Control 12's scope of supply. With this software, you can control (RGBW) light, blinds, temperature or ventilation con-

veniently and centrally - simply via your customizable dashboard on the touch panel or via app. Thanks to the intuitive interface, all functions are easily accessible and you hardly need to navigate. You can also access any websites via YOUVI and integrate them into the user interface. A special widget also allows you to keep an eye on all the energy flows in your home. This means you always know what is currently being consumed in the house, how much electricity the solar system is generating and how much energy is required from the power grid.

YOUVI Basic can be expanded as required with various add-ons. The logic module makes many manual operations superfluous. You can store morning and evening routines and run them automatically. Other add-ons allow you to use additional functions: From video surveillance with IP cameras and door communication to controlling your smart home by voice command or with the app while on the move.

With the music player for Sonos or trivium, multi-room control is realised, turning the Control 12 into a comprehensive multimedia device.

With manufacturer bridges such as Netatmo or Philips Hue, you can create your own personal feel-good atmosphere.

Open for other visualisations

In addition, other visualisations that run

as a web application or Windows client on the Control 12 can easily be used. A large selection is available here, such as Cube-Vision, Edomi or visualisations of the Gira HomeServer or X1, allowing you to expand the functions of the panel according to your individual requirements.

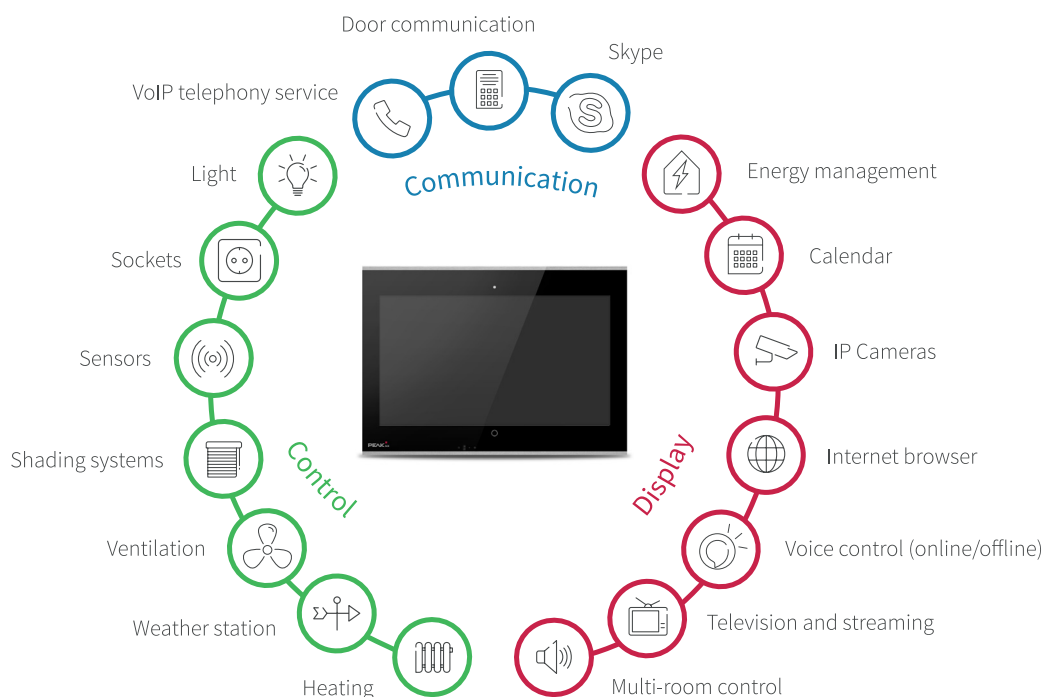
Convenient assembly

You have three different options to mount the Control 12: Surface-mounted without chiselling or chipping, concealed installation for a very flat look on the wall or even flush-mounted. Flush mounting gives the panel a particularly elegant appearance.

It can also be installed as a replacement device in the mounting boxes of Gira, ABB/Busch-Jaeger, Berker, Jung and Merten or Feller devices. With surface mounting, old MT701 devices with a flush-mounted KAST2 box can also be easily replaced.

Timeless design

The Control 12's glass is available in black and white as standard, but you also have the option of designing a custom glass in your preferred colour or with your own motif. All these glass variants are also available without our logo. The frame colour is can also be selected.



YOUVI

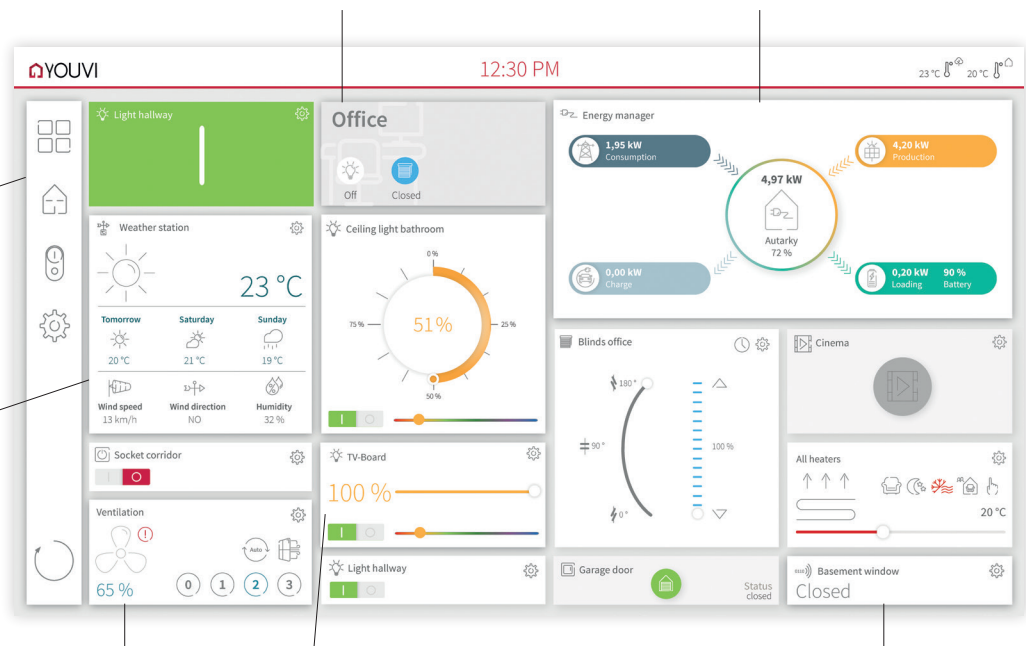
A visualisation where even new users can find their way around quickly and intuitively. The smart-design interface shows you everything you need for uncomplicated building control.

Use the room buttons to go directly to your desired room and control groups of lights, shutters and more without having to navigate much.

Always see live how much energy is being consumed or generated in your home.

Take advantage of the clearly arranged navigation bar, which is divided into trades, floors and an individual dashboard.

Keep an eye on the weather at all times: Forecast, current temperatures and weather conditions in one place.



Ventilation systems are clearly arranged, thus making it easier to control your indoor air quality.

Each tile can be displayed in two different sizes.

Various sensors for e.g. humidity, wind speed, brightness and binary sensors for windows and door contacts are supported.



Automatic set-up via ETS import function



Light or dark design



Dashboard freely editable via drag-and-drop



You can also control your home with the YOUVI mobile app. This is available free of charge for Android and iOS smartphones and for use in your own home network. The app is also available in a light and dark design.

THE YOUVI ADD-ON PRINCIPLE

With the YOUVI add-ons, we offer you exactly the functions you need. YOUVI Basic covers the most common building control tasks. The additional add-ons make it possible to expand the functionality as required. This gives you a building control system that is tailored exactly to your needs. The add-ons only need to be purchased once per building setup.



Visualisation

For clear control of lights, dimmers, RGB(W) lights, shading, heating, sockets and ventilation systems. Available in German, English and French



Bus monitor

For quick troubleshooting on the KNX bus.



IP router

For connecting to the KNX network without extra hardware.



Connect module

For control via voice command (online or offline) or with the YOUVI app on the move.

Optional



Camera module

For the connecting of surveillance cameras.

Optional



Logic module

For easily creating if-then routines.

Optional



Door station module

For simple video door communication in the best sound quality.

Optional



Device bridges

For integrating devices outside the KNX standard (information at peaknx.com/youvi)

Optional

YOUVI BASIC

ADD-ONS

A calculation that adds up

With the Control 12, you don't just get a piece of hardware. The clever YOUVI software and add-ons make the device a real all-in-one wonder, so you don't need any additional hardware.



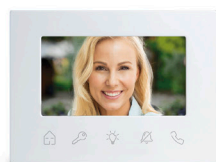
KNX server

+



IP router

+



Indoor intercom

+

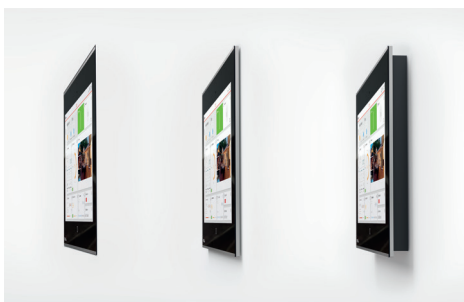


Smart Home App

=



All-in-one



AT A GLANCE

Technical data

Features

- Intel Dual-Core, 11th generation
- 4 GB RAM
- SSD hard disk with 128 GB
- 11.6 inch Full-HD LED LCD with multi-touch
- 5-megapixel webcam
- Integrated stereo speakers and microphone
- Automatic brightness adjustment
- Automatic screen activation via proximity sensor
- WLAN, 2.4 GHz, 5 GHz and Bluetooth 5.2
- Fanless cooling by convection

Software

- Operating system: Windows 10 IoT Enterprise LTSC
- YOUVI Basic software package consisting of visualisation, IP router and bus monitor (modules and bridges can be purchased additionally)

Connections

- 1 x KNX
- 2 x USB A 2.0 front connection
- 1 x USB C 3.2
- 1 Gigabit Ethernet

Power supply and consumption

- Supply voltage: 24 V (power supply)
- power supply for mounting socket and DIN rail available)
- Idle mode: 6 W
- Operation at full capacity: 30 W
- Server operation without LCD: 4 W

Dimensions

- Flush-mounted box, W x H x D: 251 x 193 x 50 mm
- Front glass, W x H x D: 297 x 210 x 0.7 mm

Compatibility

Visualisations

All Windows or web-based, e.g:

- BabTechnology: CubeVison
- Gira: QuadClient, Ajax, X1
- Hager: Domovea
- Symcon GmbH: IP-Symcon
- Edomi, openHAB, ThinKnx, Loxone and many more...

Mounting boxes

Adapter available for mounting boxes, such as UP-KAST2, Jung EBG 24 or Busch-Jaeger 6136/UP, for replacing e.g:

- Gira Control 9 & InfoTerminal Touch
- Merten Touch-Panel 7
- Busch ComfortPanel 9" & 12,1"
- Berker Master Control and many more...

Cameras

IP streams in RTSP, JPG and MJPG format, e.g. from:

- Hikvision
- Axis
- Lupus
- Mobotix and many more...

Door communication

All SIP-enabled telecommunications systems, e.g:

- Doorbird IP video door station
- AGFEO IP video TFE
- Wantec Monolith C IP
- Mobotix T25 and many more...

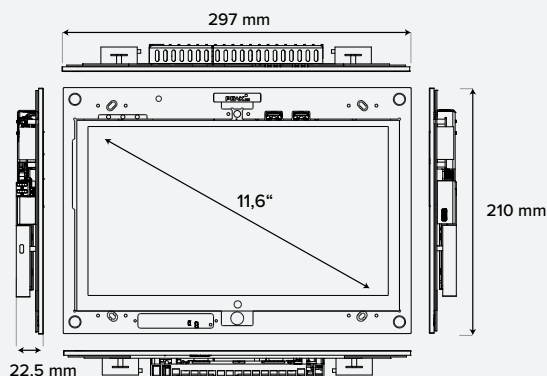
ETS

- ETS Inside Server

Music software

Windows or web-based software:

- Apple iTunes, Spotify, Sonos and many more...



- Reliable, silent operation
- Including YOUVI Basic software package for KNX bus control, consisting of visualisation, IP router and bus monitor
- No need for an external server thanks to KNX connection and software
- Compatible with many other visualisations, SIP door stations and mounting boxes
- Hassle-free, smooth display of surveillance cameras
- Low installation depth
- Available as a surface-mounted, concealed and flush-mounted version
- Interchangeable glass covers with customised designs